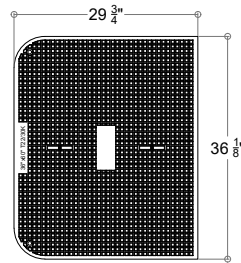
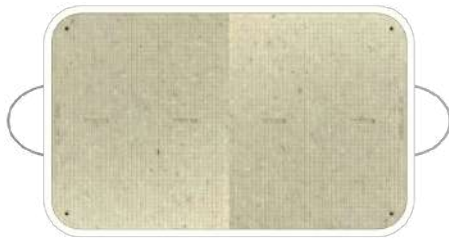




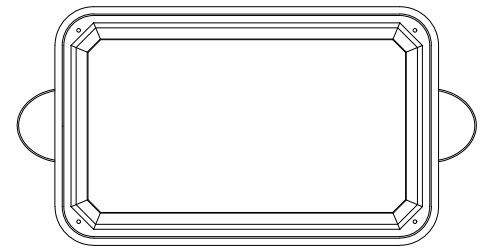
POLYMER CONCRETE HANDHOLE 36"X60"X48"

POLYMER CONCRETE

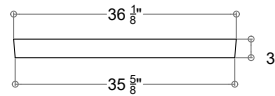
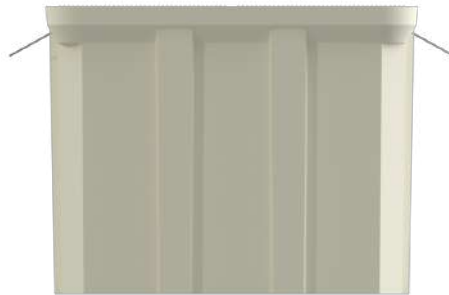
TIER 22: Driveway, parking lot, and offroad applications subject to occasional non deliberate heavy vehicular traffic



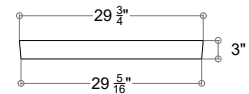
**COVER
TOP VIEW**



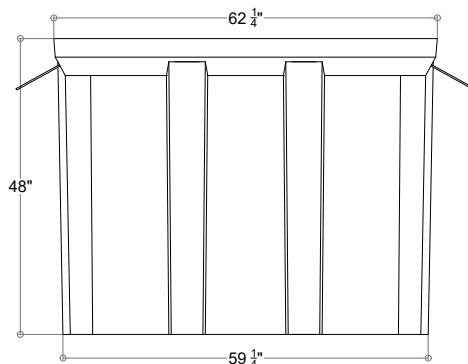
**BOX
TOP VIEW**



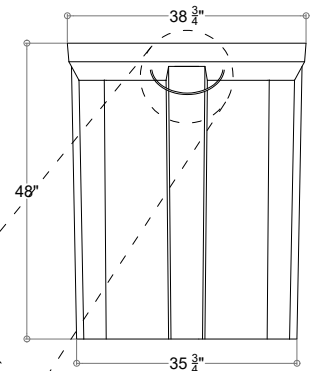
**COVER
FRONT VIEW**



**COVER
SIDE VIEW**



**BOX
FRONT VIEW**



**BOX
SIDE VIEW**

TOLERANCES: +- 1.5% DIMENSIONS: IN

1/4" wired steel cable

Learn more about the solutions available for your projects!

442-270-4594

Ctra. Tesistán Km. 8, Col. Estrada, Tesistán
CP 45200, Zapopan, Jalisco, México.
www.centrifugadosmexicanos.com





POLYMER CONCRETE HANDHOLE 36"X60"X48"

POLYMER CONCRETE

TIER 22: Driveway, parking lot, and offroad applications subject to occasional non deliberate heavy vehicular traffic

● FEATURES

- Compressive strength: 800 kg/cm²
- Non conductive material (dielectric)
- complies with ANSI SCTE 77 2017
 - Resistance to chemical reagents
 - Simulated sunlight exposure
 - Water absorption
 - Flammability
 - Cover impact
 - Coefficient of friction

● Specifications

- Polymer concrete cover and box reinforced with fiberglass
- $\frac{3}{16}$ " stainless steel lift pin
- $\frac{1}{2}$ " stainless steel hexbolt fastening system
- $\frac{1}{4}$ " wired steel cable
- Load rating: Tier 22

Dimensions: 36" x 60" x 48"

Tolerances: +- 1.5%

Approximate weight:

- Lid: 262 lb each lid (2 lids per box)
- Box: 745 lb

Color: Beige.

