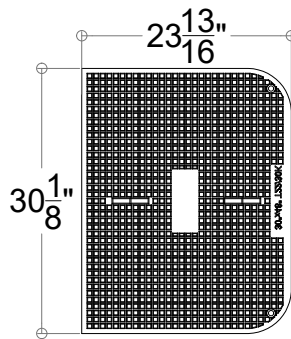
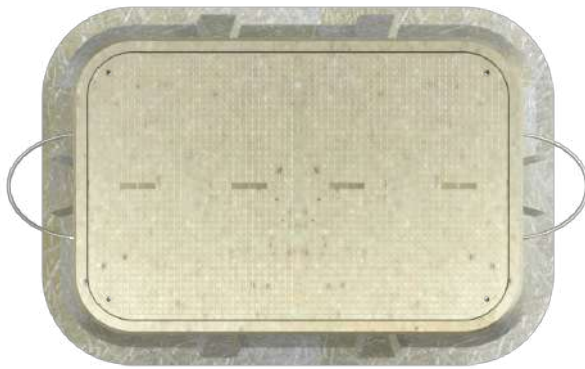




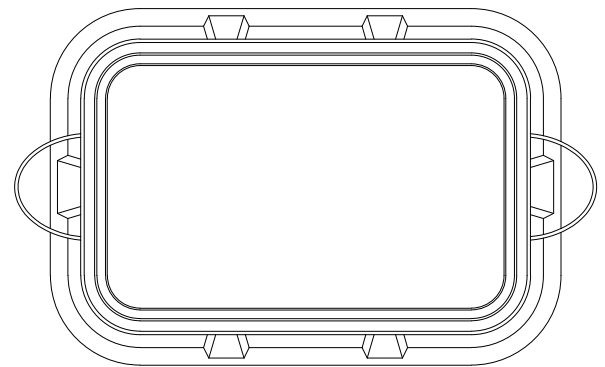
FIBERGLASS HANDHOLE 30" X48"X24"

FIBERGLASS

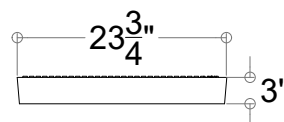
TIER 22: Driveway, parking lot, and offroadway applications subject to occasional non deliberate heavy vehicular traffic



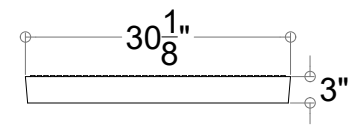
COVER TOP VIEW



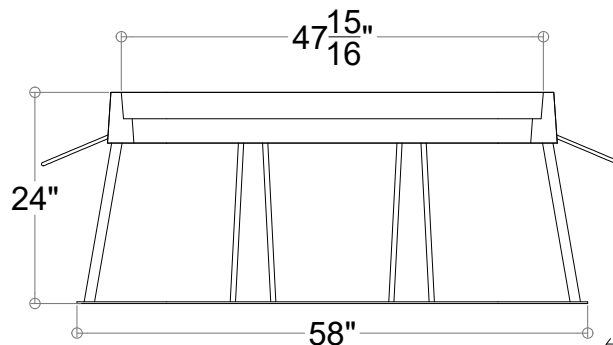
BOX TOP VIEW



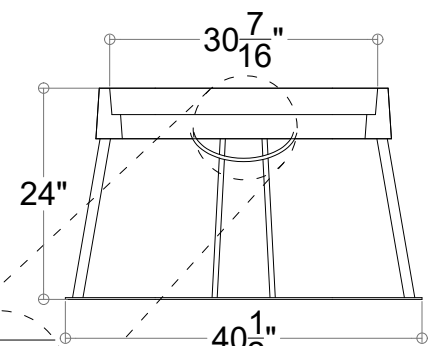
COVER FRONT VIEW



COVER SIDE VIEW



FRONT VIEW



SIDE VIEW

1/4" steel wire rope

TOLERANCES: +- 1.5% DIMENSIONS: IN

Learn more about the solutions available for your projects!

442-270-4594

Ctra. Tesistán Km. 8, Col. Estrada, Tesistán
CP 45200, Zapopan, Jalisco, México.
www.centrifugadosmexicanos.com





FIBERGLASS HANDHOLE 30"X48"X24"

FIBERGLASS

TIER 22: Driveway, parking lot, and offroadway applications subject to occasional non deliberate heavy vehicular traffic

● FEATURES

- Polymer Concrete compressive strength= 11379 psi.
- Rupture modulus (average 3513 psi) according ASTM C-78
- Water absorption (average 0.136%)
- Non Conductive "dielectric"

● SPECIFICATIONS

- Polymer concrete cover and frame reinforced with fiberglass
- $\frac{3}{16}$ " thickness fiberglass wall
- $\frac{3}{16}$ " Stainless steel lift pin
- $\frac{1}{2}$ " Stainless steel hex bolt fastening system
- $\frac{1}{4}$ " Steel wire rope for handling
- Load Rating: Tier 22

Dimensions: 30" x 48" x 24"

Tolerances: +- 1.5%

Aproximate Weight:

- Lid: 174 lb each (2 lids per box)
- Box: 224 lb

Polymer concrete color: Beige.

